

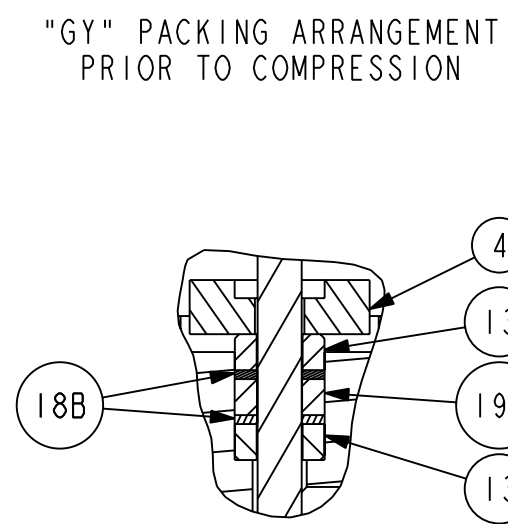
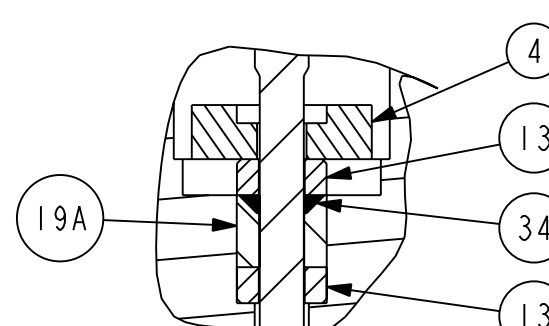
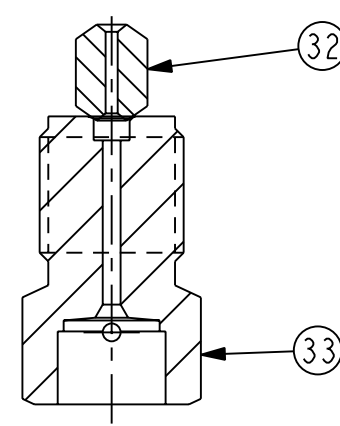
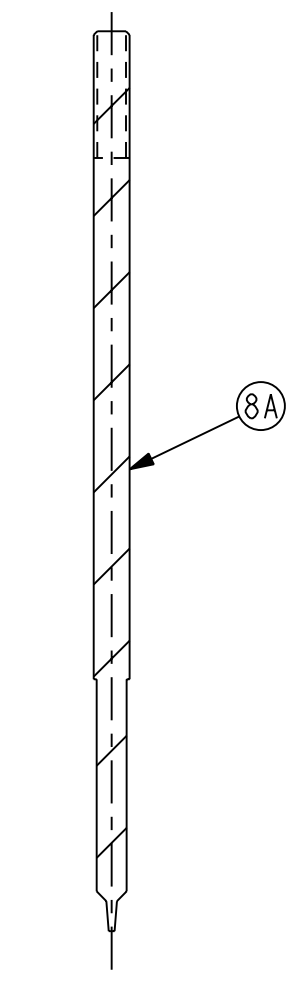
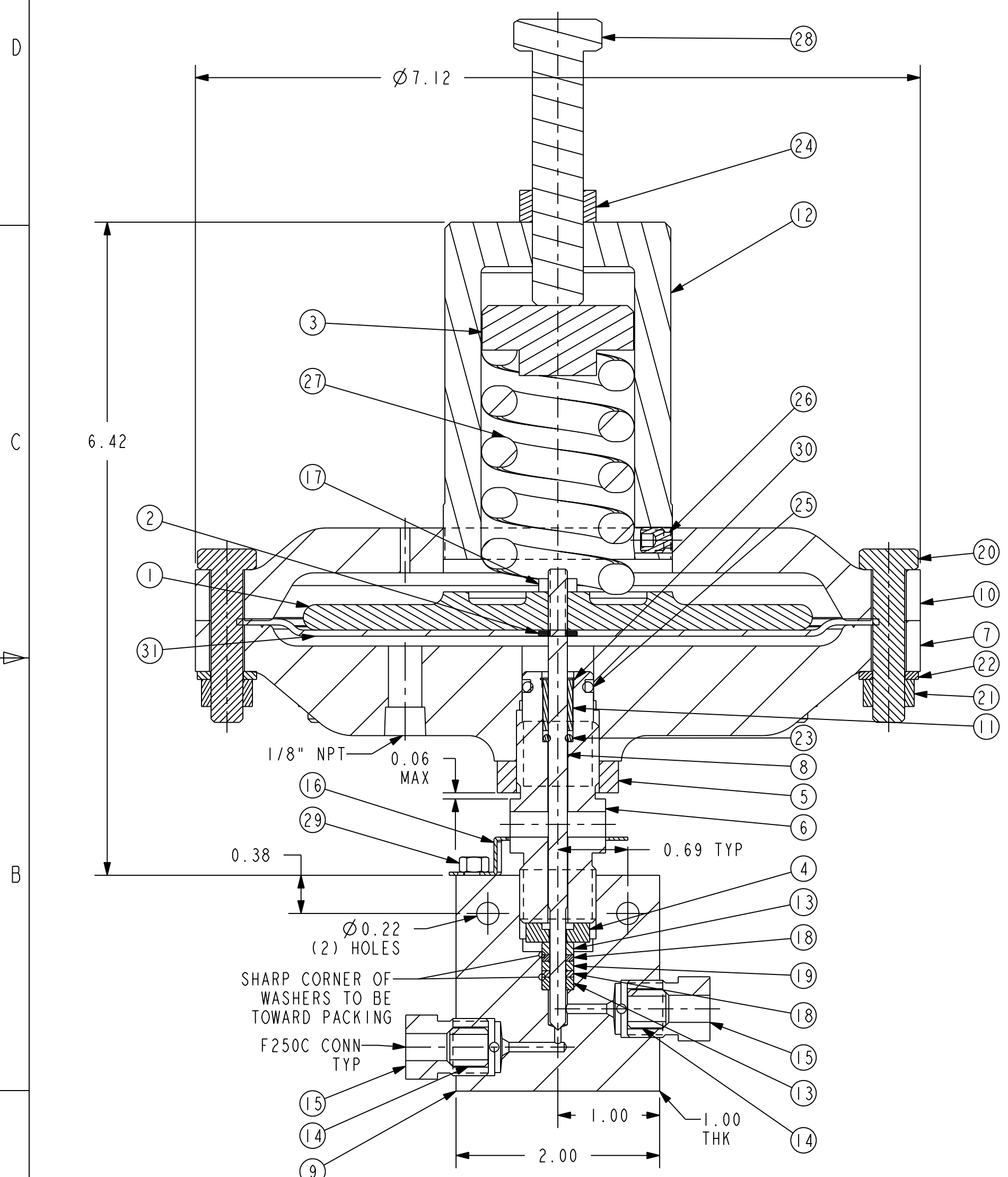
ASSY: ----

THIS DOCUMENT MAY CONTAIN INFORMATION AFFECTING THE NATIONAL DEFENSE OF THE UNITED STATES WITHIN THE MEANING OF THE ESPIONAGE ACT, OR MAY REPRESENT A PROPRIETARY ARTICLE TO WHICH SNAP-TITE, INC. RETAINS THE EXCLUSIVE RIGHT OF MANUFACTURE AND SALE. THIS DOCUMENT IS DISCLOSED IN CONFIDENCE, AND ITS POSSESSION DOES NOT CONVEY PERMISSION TO MANUFACTURE THE ARTICLE DEPICTED HEREIN. SUCH PERMISSION MAY BE GRANTED ONLY BY SPECIFIC AUTHORIZATION IN WRITING, SIGNED BY AN OFFICER OF SNAP-TITE, INC.

#	REVISION	BY:	APP
15	ADDED -3SS OPTION (316 SS STEM & SEAT)	SAJ DATE: 8/26/09	SAJ
16	ADDED -TG ARRANGEMENT	RPB DATE: 7/8/10	SAJ
17	-TG ARRANGEMENT WAS 2X P-8713	SAJ DATE: 6/6/11	SAJ

DESCRIPTION	BODY P/N	STEM TYPE	CATALOG NUMBER	STEM P/N
2 STEM MANIFOLD	2010-6457-DA	REG	60VM4085-OM	101B-1309
2 WAY ANGLE REPLACEABLE SEAT	2010-6454-DA	VEE	60VM4075-OM	2010-7037
3 WAY 1 ON PRESSURE	2010-6455-DA	REG	60VM4882-OM	101B-1309
3 WAY 2 ON PRESSURE	2010-6452-DA	VEE	60VM4872-OM	2010-7037
2 WAY ANGLE	2010-6456-DA	REG	60VM4084-OM	101B-1309
2 WAY STRAIGHT	2010-6453-DA	VEE	60VM4074-OM	2010-7037
2 WAY STRAIGHT	2010-6453-DA	REG	60VM4073-OM	2010-7037
2 WAY STRAIGHT	2010-6453-DA	VEE	60VM4082-OM	101B-1309
2 WAY STRAIGHT	2010-6453-DA	REG	60VM4072-OM	2010-7037
2 WAY STRAIGHT	2010-6453-DA	VEE	60VM4081-OM	101B-1309
2 WAY STRAIGHT	2010-6453-DA	REG	60VM4071-OM	2010-7037



MAX ALLOW WORKING PRESSURE: 60000 PSI @ RT  
 HYDROTEST PRESSURE: 75000 PSI @ RT  
 MAX ALLOW AIR PRESSURE: 100 PSI  
 AIR PRESSURE REQD AT VALVE RATING: 95 PSI  
 PACKING GLAND TORQUE: 60 FT-LBS  
 SEAT RETAINER TORQUE: 45 FT-LBS  
 APPROX SPRING COMPRESSION AT MAX VALVE RATING: 0.38  
 APPROX STEM LIFT AT MAX VALVE RATING: 0.25  
 ALLOWABLE DIAPHRAGM TEMP: -40°F TO 200°F  
 AREA OF DIAPHRAGM: 19.6 SQ IN.

#PER TABLE ABOVE  
 \*AS REQUIRED

Top Level Assembly BOM				
ITEM No.	QTY.	PART No.	Description	Material
1	1	101A-0326	DIAPHRAGM HEAD	DUCTILE IRON
2	1	101B-8357	THREADED WASHER	STEEL
3	1	1020-8912	SPRING SUPPRESSOR	C STEEL
4	1	1020-9447	BACK-UP WASHER	17-4PH
5	1	1030-9841	LOCKNUT	316 SS
6	1	1040-9841	PACKING GLAND	316 SS
7	1	2010-5686	LOWER HOUSING	ALUMINUM
8	1	2010-7037	VEE STEM	17-4PH
9	1	2010-6453-DA	VALVE BODY 1/4" 60VM	316 SS
10	1	2020-5686	UPPER HOUSING -OM	ALUM
11	1	2060-6281	SLEEVE	NYLON
12	1	3050-4752	SPRING HOUSING	ALUMINUM
13	2	3130-1477	PACKING WASHER	17-4PH
14	2	ACL40	COLLAR	316 SS
15	2	AGL40	GLAND	316 SS
16	1	P-0500	LOCKING DEVICE	302 SS
17	1	P-0729	HEX NUT, #10-24	STEEL
18	2	P-0829	PACKING	NYLON
19	1	P-0830	PACKING	LEATHER
20	8	P-0837	SCREW, HEX HD CAP, 5/16-18 X 1.50 LG	Zn PLATED STEEL
21	8	P-0840	HEX NUT, 5/16-18	STEEL
22	8	P-0841	LOCKWASHER, SPRING, 5/16, REGULAR	PLATED STEEL
23	1	P-0847	O-RING UNIF #007	BUNA-N
24	1	P-0878	HEX JAM NUT 1/2-13	STEEL
25	1	P-0885	O-RING UNIF #112	BUNA-N
26	1	P-1718	HEX SOC SET SCREW, 1/4-20 X 0.31 LG, HD0G	STEEL
27	1	P-1723	SPRING 1 1/2 X 2 1/2 EHD 368LB / 1/8	CHROME-VANADIUM
28	1	P-1733	SCREW, HEX HD CAP, 1/2-13 X 2.50 LG	Cd PLATED STEEL
29	1	P-6909	SCREW, HEX HD CAP	300 SER SS
30	1	P-9591	RETAINING RING	300 SERIES SS
31	1	103A-0326	DIAPHRAGM	NEOPRENE
32	1	101B-1387	REPLACEABLE SEAT	17-4PH
33	1	101C-5960	SEAT RETAINER	316 SS

OPTIONAL PARTS LIST					
ITEM NO.	QTY.	PART NO.	DESCRIPTION	MATERIAL	CAT NO. SUFFIX
8B	1	101A-3401	VEE STEM	STELLITE	-STS
8C	1	2070-7037-C	VEE STEM	N-DURA	-CS
8D	1	2070-7037	VEE STEM	316 SS	-3SS
34	1	101A-5589	WEDGE RING	BERYLCO	-GY
19A	1	P-8933	PACKING	GRAHPITE YARN	-GY
18B	2	90865	PACKING	PEEK	-TG
19B	2	P-8713	PACKING	TEFLON GLASS	-TG
32A	1	102B-1387	REPLACEABLE SEAT	STELLITE	-SRS
32B	1	105B-1387-C	REPLACEABLE SEAT	N-DURA	-CSS
32C	1	105B-1387	REPLACEABLE SEAT	316 SS	-3SS

P/N: 60VM4XXX-OM  
 MATERIAL: 316 SS  
 P/S: NONE REF PART: NONE  
 DWN: BLM 10/1/76 APPVD: RKR  
 DO NOT SCALE DRAWING

**Snap-tite, Inc. - Erie, Pennsylvania, U. S. A.**  
 Autoclave Engineers Division

**AIR VALVE ASSEMBLY**  
 1/4" 60VM-OM

SIZE: **C** EWO: STD DWG. NO.: **30A-0141** REV: **17**  
 SCALE: 1:1 H4-1 CODE: 78357 SHEET: 1 OF 1